

# XIAMEN WHALEFLO INDUSTRY AND TRADE CO., LTD



## FLO Series 2 Chamber Micro DC Diaphragm Pumps



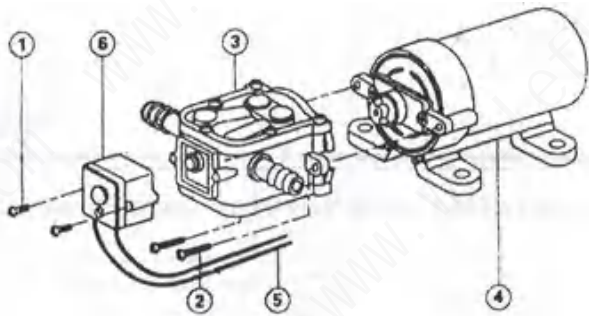
### Features:

DC permanent Magnet and Intermittent Duty

Built-in pressure switch automatically starts and stop

Self-priming so pump can be located above water tank

Also available with bypass model



- Pump design: 2 Chamber Diaphragm
- Port Size: 3/8"(9.5mm) Hose Barb
- Voltage: 12V ,24V dc
- Check Valve: EPDM or Vtion
- Liquid Temp: 140°F(60°C) Maximum
- Self-Priming 4feet(1.2M) suction Lift

Model	Volt	Max Flow Lpm(gpm)	Max Pressure Psi(Bar)	Amps (A)
FLO-2201	12v dc	2.0(0.5)	55(3.8)	1.8
FLO-2202	12v dc	3.8(1.0)	35(2.4)	3.0
FLO-2202-1	12v dc	4.3(1.1)	35(2.4)	3.5
FLO-2203	12v dc	2.6(0.7)	70(4.8)	2.1
FLO-2203-1	12v dc	3.1(0.8)	70(4.8)	2.2
FLO-2202A	12v dc	4.0(1.1)	80(5.5)	2.6
FLO-2401	24v dc	2.0(0.5)	55(3.8)	0.9
FLO-2402	24v dc	3.8(1.0)	35(2.4)	1.5
FLO-2403	24v dc	2.6(0.7)	70(4.8)	1.0
FLO-2402A	24v dc	4.0(1.1)	80(5.5)	1.3

### Typical Application

- Marine/RV
- Water Treatment
- Beverage/Food service
- Agricultural Spraying
- General Industrial
- Automotive

# XIAMEN WHALEFLO INDUSTRY AND TRADE CO., LTD

## Whaleflo FL Series 4 Chamber High Flow Rate Diaphragm Pumps

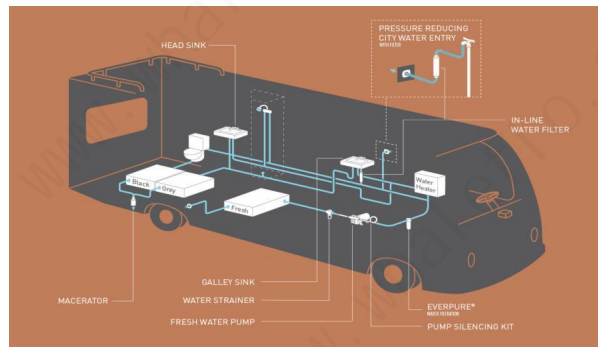
RV application



**DC Model**



**AC Model**

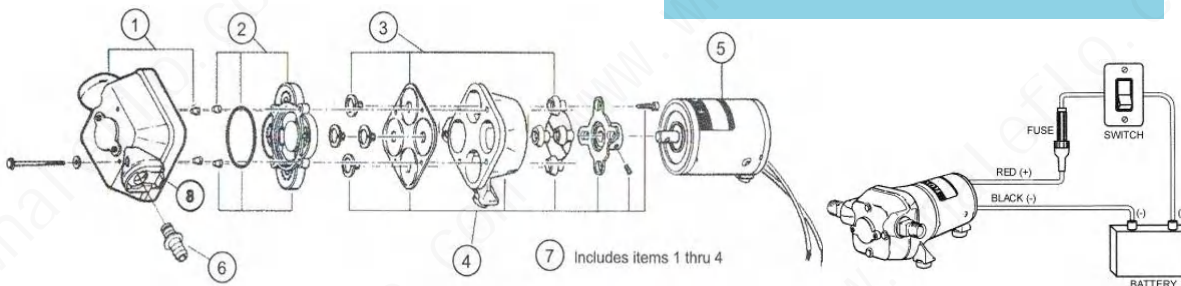
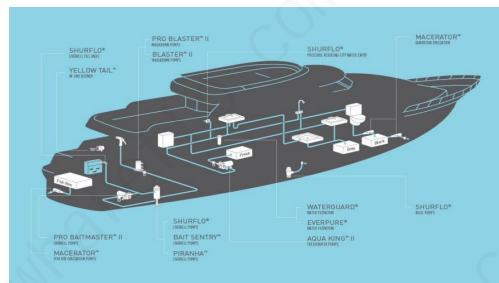


Pump design:	4 Chamber Diaphragm
Port Size:	3/4"(19mm) Female Thread
Connector:	1/2" Hose barb, 3/4" BSPT Thread
Voltage:	12V ,24V dc, 115V ,220V AC
Check Valve:	EPDM or Viton
Liquid Temp:	140°F(60°C) Maximum
Self-Priming	6.5feet(2.0M) suction Lift

**Features:**

- Permanent Magnet and Intermittent Duty
- Built-in pressure switch automatically starts and stop
- Self-priming so pump can be located above water tank
- Built-in thermal Protector
- Run Dry without damage

Yacht application



Model	Volt	Max Flow Lpm(gpm)	Max Pressure Psi(Bar)	Amps (A)
FL-30	12v dc	10.0(2.6)	17(1.17)	2.2
FL-31	24v dc	10.0(2.6)	17(1.17)	1.5
FL-35	12v dc	12.5(3.3)	35(2.41)	7.0
FL-34	24v dc	12.5(3.3)	35(2.41)	4.0
FL-40	12v dc	17.0(4.5)	40(2.76)	9.2
FL-60	12v dc	17.0(4.5)	60(4.13)	13.2
FL-44	24v dc	17.0(4.5)	40(2.76)	5.6
FL-33	115v ac	12.5(3.3)	35(2.41)	0.8
FL-32	220v ac	12.5(3.3)	35(2.41)	0.4
FL-41	115v ac	17.0(4.5)	40(2.76)	1.5
FL-43	220v ac	17.0(4.5)	40(2.76)	0.8

Typical Application
Marine/RV
Water Treatment
Beverage/Food service
Agricultural Irrigation
General Industrial
Automotive

# XIAMEN WHALEFLO INDUSTRY AND TRADE CO., LTD



## DP Series 3 Chamber High Pressure Diaphragm Pumps

**DC Model**



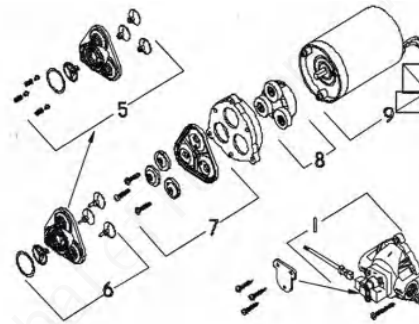
**AC Model**



**Bypass Model**



Pump design:	3 Chamber Diaphragm
Port Size:	3/8"(9.5mm) Female Thread
Connector:	3/8" Hose barb. 1/4" BSPT Thread
Voltage:	12V ,24V dc, 115V ,220V AC
Check Valve:	EPDM or Viton
Liquid Temp:	140°F(60°C) Maximum
Self-Priming	6.5feet(2.0M) suction Lift



**Features:**

- Permanent Magnet and Intermittent Duty
- Built-in pressure switch automatically starts and stop
- Self-priming so pump can be located above water tank
- Built-in thermal Protector
- Run Dry without damage
- Demand or Bypass Model

Model	Volt	Max Flow Lpm(gpm)	Max Pressure Psi(Bar)	Amps (A)	Typical Application
DP-60	12v dc	4.6(1.2)	60(4.1)	7.0	Marine/RV
DP-60B	24v dc	4.6(1.2)	60(4.1)	4.0	Water Treatment
DP-80	12v dc	5.5(1.5)	80(5.5)	8.0	Beverage/Food service
DP-100	12v dc	5.5(1.5)	100(7.0)	9.0	Agricultural Irrigation
DP-120	12v dc	5.5(1.5)	120(8.3)	9.5	General Industrial
DP-120B	24v dc	5.5(1.5)	120(8.3)	4.5	Automotive
DP-160	12v dc	5.5(1.5)	160(11.0)	10.5	
DP-160B	24v dc	5.5(1.5)	160(11.0)	4.2	
DP-100M	220v ac	5.5(1.5)	100(7.0)	0.6	
DP-120M	220v ac	5.5(1.5)	120(8.3)	0.5	
DP-160M	220v ac	5.5(1.5)	160(11.0)	0.6	
DP-160S	115v ac	5.5(1.5)	160(11.0)	1.0	

# XIAMEN WHALEFLO INDUSTRY AND TRADE CO., LTD

## Whaleflo FL-30 Series 2 Chamber High Pressure Diaphragm Pumps

3/8" Hose barb

1/2" BSPT Thread



**Features:**

Permanent Magnet and Intermittent Duty

Built-in pressure switch automatically starts and stop

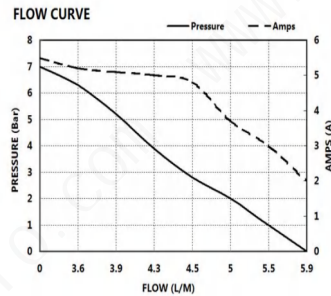
Self-priming so pump can be located above water tank

Run Dry without damage

Demand and Bypass Model

Pump design:	2 Chamber Diaphragm
Port Size:	3/8"(9.5mm) Hose Barb
Voltage:	12V ,24V dc
Check Valve:	EPDM or Vtion
Liquid Temp:	140°F(60°C) Maximum
Self-Priming	4.8feet(1.5M) suction Lift

Model	Volt	Max Flow Lpm(gpm)	Max Pressure Psi(Bar)	Amps (A)
FL-3202	12v dc	5.1(1.34)	80(5.5)	4.8
FL-3402	24v dc	5.1(1.34)	80(5.5)	2.8
FL-3203	12v dc	5.1(1.34)	100(7.0)	5.0
FL-3403	24v dc	5.1(1.34)	100(7.0)	3.0
FL-3206	12v dc	6.0(1.58)	60(4.1)	6.0



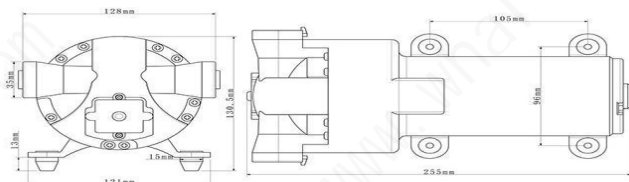
## Whaleflo FL-5 Series 5 Chamber High Volume Diaphragm Pumps



Pump design:	5 Chamber Diaphragm
Port Size:	3/4"(19mm) Female Thread
Connector:	1/2" hose barb, 3/4" BSPT Thread
Voltage:	12V ,24V dc
Check Valve:	EPDM
Liquid Temp:	140°F(60°C) Maximum
Self-Priming	6.5feet(2M) suction Lift

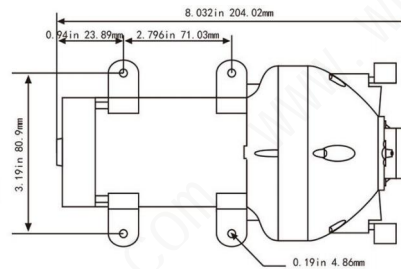
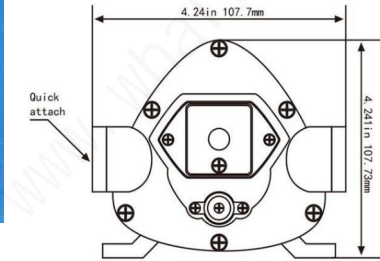
Model	Volt	Max Flow Lpm(gpm)	Max Pressure Psi(Bar)	Amps (A)
FL-55	12v dc	20(5.2)	55(3.8)	16.0
FL-200	12v dc	10(2.6)	200(13.8)	15.0
FL-200B	24v dc	10/2.6	200(13.8)	8.0

- Typical Application**
- Marine/RV
  - Water Treatment
  - Beverage/Food service
  - Agricultural Irrigation
  - General Industrial
  - Automotive



# XIAMEN WHALEFLO INDUSTRY AND TRADE CO., LTD

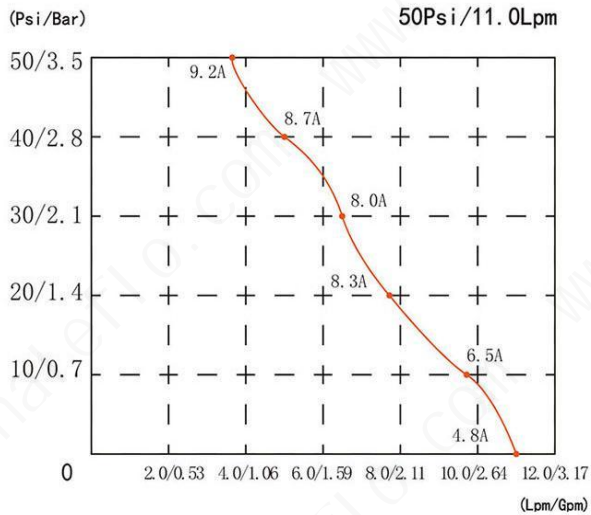
## Whaleflo WEL Series 3 Chamber High Flow Rate Diaphragm Pumps



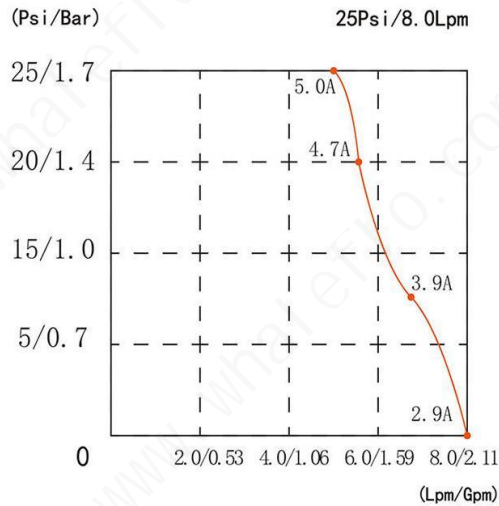
Pump Design:  
Body Material:  
Motor Tape:  
Port Size:  
Liquid temp:  
Typical Applications:

Diaphragm Pump  
Polyamide66  
Permanent-Magnet Motors  
1/2"(15mm)  
60°C  
Yacht, RV, Industrial, House Use etc.

FL-701 12V



FL-703 12V



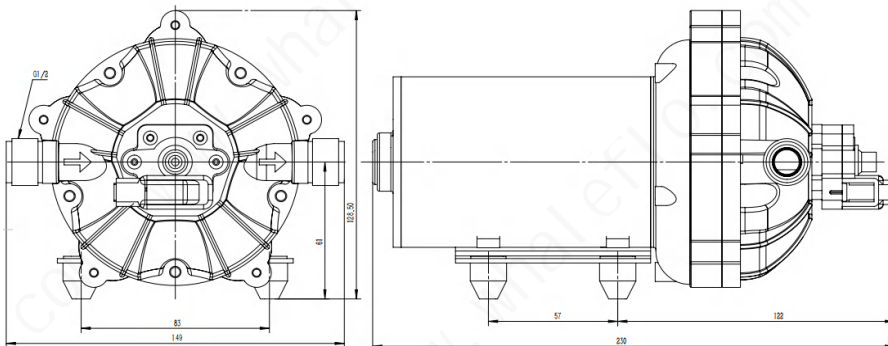
Model	Volt (v)	Flow Rate (LPM/GPM)	Pressure (PSI/bar)	Max Lift(M)	Power (W)
FL-701	12	11/2.9	50/3.4	30	132
FL-703	12	8/2.0	25/1.7	15	132
FL-704	24	11/2.9	50/3.4	30	132
FL-706	24	8/2.0	25/1.7	15	132

# Marine & RV Water Pump



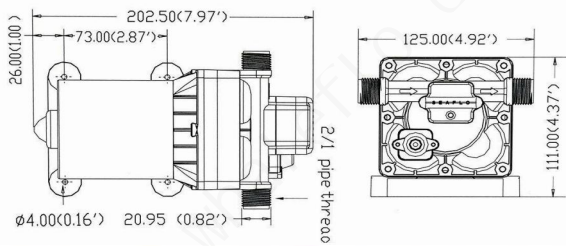
**IDEAL FOR CARAVAN, MOTORHOME, CAMPER TRAILER, BOAT ETC**

Model	Volt (v)	Flow Rate (LPM/GPM)	Pressure (PSI/bar)	Amp Draw(A)
WEL-55-70-18	12	18/4.8	70/4.8	17
WEL-55-70-19	24	19/5.0	70/4.8	9



Ideal for transfer water anywhere in 12v/24V environment, self suction 2.2Meters.  
12V/24V/110V/220V Diaphragm Water Pump Boost Water for Marine/RV/Boat with 1/2 NPT thread

# Marine & RV Water Pump 42 Series



**IDEAL FOR CARAVAN, MOTORHOME,  
CAMPER TRAILER, BOAT ETC**

## PRODUCT SPECIFICATIONS

Model	Volt	Flow	Max Amps	Max Pressure	outlet size
WEL-30-42-12	12v	11.3LPM/3.0GPM	7A	55psi	20mm male thread
WEL-30-42-24	24v	11.3LPM/3.0GPM	4A	55psi	20mm male thread

# Marine&RV Water Pump 33 Series

Control Type Pressure switch  
 Max Recommended Temperature 60° C ( 140° F )  
 Priming Capabilities 6 feet (1.8 m) suction lift  
 Re-start Pressure Shut-off Pressure 45 PSI : 35 PSI ±5 PSI (±0.3 bar)  
 Inlet/Outlet Ports 1/2"-14 MNPT

MOTOR  
 Leads 16 AWG, 13" (33 cm) long with 2-Pin connector / Leads  
 Duty Cycle Intermittent

### TYPICAL APPLICATIONS

Marine,RV,Agricultural Spraying,General Industrial,Filtration,  
 Beverage Processing,Solar Water System.



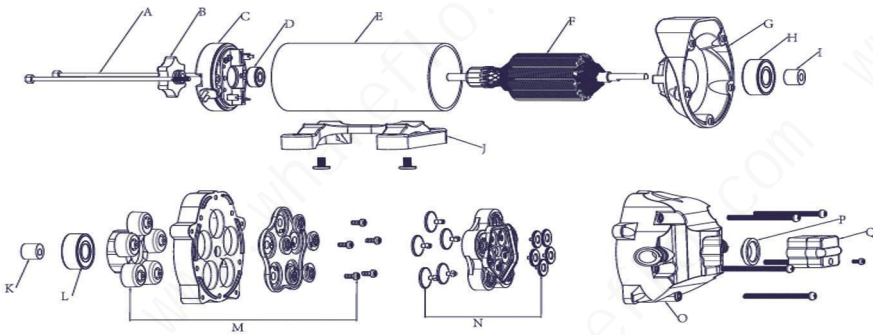
Model	Voltage	Open Flow (GPM/LPM)	Control Type	Max Draw	Shut-off Pressure (PSI/BAR)	Valves	Diaphragm	Ports	Wire Connections
WEL-33-12-30	12V	3.0 / 11.6	Switch	8.0A	45 / 3.1	EPDM	Santoprene	1/2"-14 MNPT	2-Pin/Leads
WEL-33-24-30	24V	3.0 / 11.6	Switch	4.0A	45 / 3.1	EPDM	Santoprene	1/2"-14 MNPT	2-Pin/Leads
WEL-33-12-28	12V	2.8 / 10.6	Switch	6.0A	45 / 3.1	EPDM	Santoprene	1/2"-14 MNPT	2-Pin/Leads
WEL-33-24-28	24V	2.8 / 10.6	Switch	3.5A	45 / 3.1	EPDM	Santoprene	1/2"-14 MNPT	2-Pin/Leads

# Marine& RV water pump

Ideal for water transfer

Available for marine& RV use

Convenient & Efficient



Model	Volt (v)	Flow Rate (LPM/GPM)	Pressure (PSI/bar)	Amp Draw(A)
WEL-30601T	12	11.5/3.0	60/4.1	10
WEL-30602T	24	11.5/3.0	60/4.1	5.5
WEL-40601T	12	15.0/4.0	60/4.1	13
WEL-40602T	24	15.0/4.0	60/4.1	7
WEL-55601T	12	20.8/5.5	60/4.1	17.5
WEL-55602T	24	20.8/5.5	60/4.1	10
WEL-55701T	12	20.8/5.5	70/4.8	17.5
WEL-55702T	24	20.8/5.5	70/4.8	10.0

Pump Design: 5 chamber design

Port size: 1/2" Female Thread (1/2"

Barbed Hose Adaptors Also Included)

Voltage: 12v, 24v Dc

Check value: EPDM or Viton

Liquid temp: 140F(60C) Maximum

Self-priming: 6.5 feet(2M) LIFT



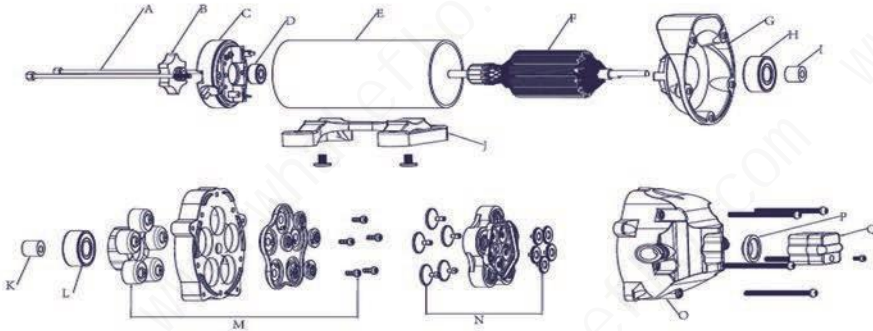
# Marine & RV water pump

## WEL30/40/50 SERIES

Ideal for Washing field

Available for marine & RV use

Convenient & Efficient



Pump Design: 5 chamber design  
 Port size: 1/2" Female Thread (1/2" Barbed Hose Adaptors Also Included)  
 Voltage: 12v, 24v Dc  
 Check value: EPDM or Viton  
 Liquid temp: 140F(60C) Maximum  
 Self-priming: 6.5 feet(2M) LIFT

### Technical data

Model	Volt	Flow rate	Max Pressure	Max Amps(A)	Package	N.W/G.W(kgs)
WEL-55701T	12Vdc	20LPM	70PSI	17.5A	30*26*25.5cm	3.9/4.35



Easy to use & setup in just a couple of minutes. Very portable, take anywhere.  
 Durable rubber feet for permanent mounting, absorb any noise or vibration. Auto cut-off pressure switch. Run dry without damage. Overheat protection cut-off.  
 Suits liquid with weak acid/alkaline, weed sprayers & salt water.